

PKS 1000

WASTEWATER SUMPS

For Multicut pumps

- . According EN 13598-2
- . Suitable for traffic up to class D 400
- . Corrosion-proof
- . Buoyancy-proof and ground water proof
- . Max. installation depth 5.90 m

DESCRIPTION

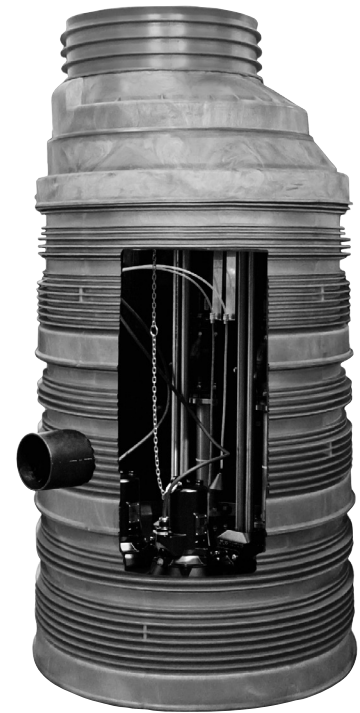
The buoyancy proof and practicable plastic sump in high-grade polypropylene (PP) corresponds to EN 13598-2. It is used in pressure drainage systems as well as a standard pump sump. It is suitable for use in areas with traffic load up to 40 tons. (DIN EN 124, group 4). The PKS-D can be placed on natural ground without concrete works. The modular design offers easy transport and installation.

In order to adjust the pumping stations to the required pumping conditions a wide range of MultiCut submersible sewage pumps is available, both with or without explosion protection.

The sump is available in two versions, with a ladder (SG) using pumps MultiCut 20/2 M to 45/2 M and without a ladder using the larger MultiCut types 75/2 M and 76/2 M. Both versions have a connection piece for inlet, two sockets with seal for ventilation and cable duct, a facility for installing a flushing connection and a DN 40 pressure outlet.

The standard installation depth without a cover is 2.27 m. The installation depth can be extended to 5.90 m by the use of sump extensions (installation depth in ground water not more than 5 m). The total volume is 1372 litres. The volume storage below the inlet is 396 litres.

If extensions are used, one of the extensions must be ordered with a tie-bar.

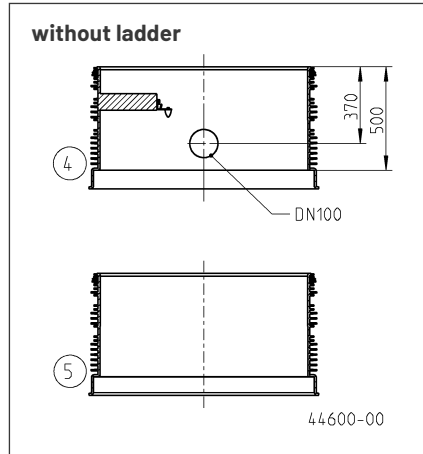
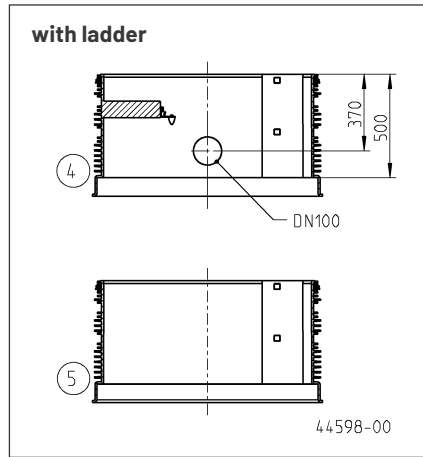
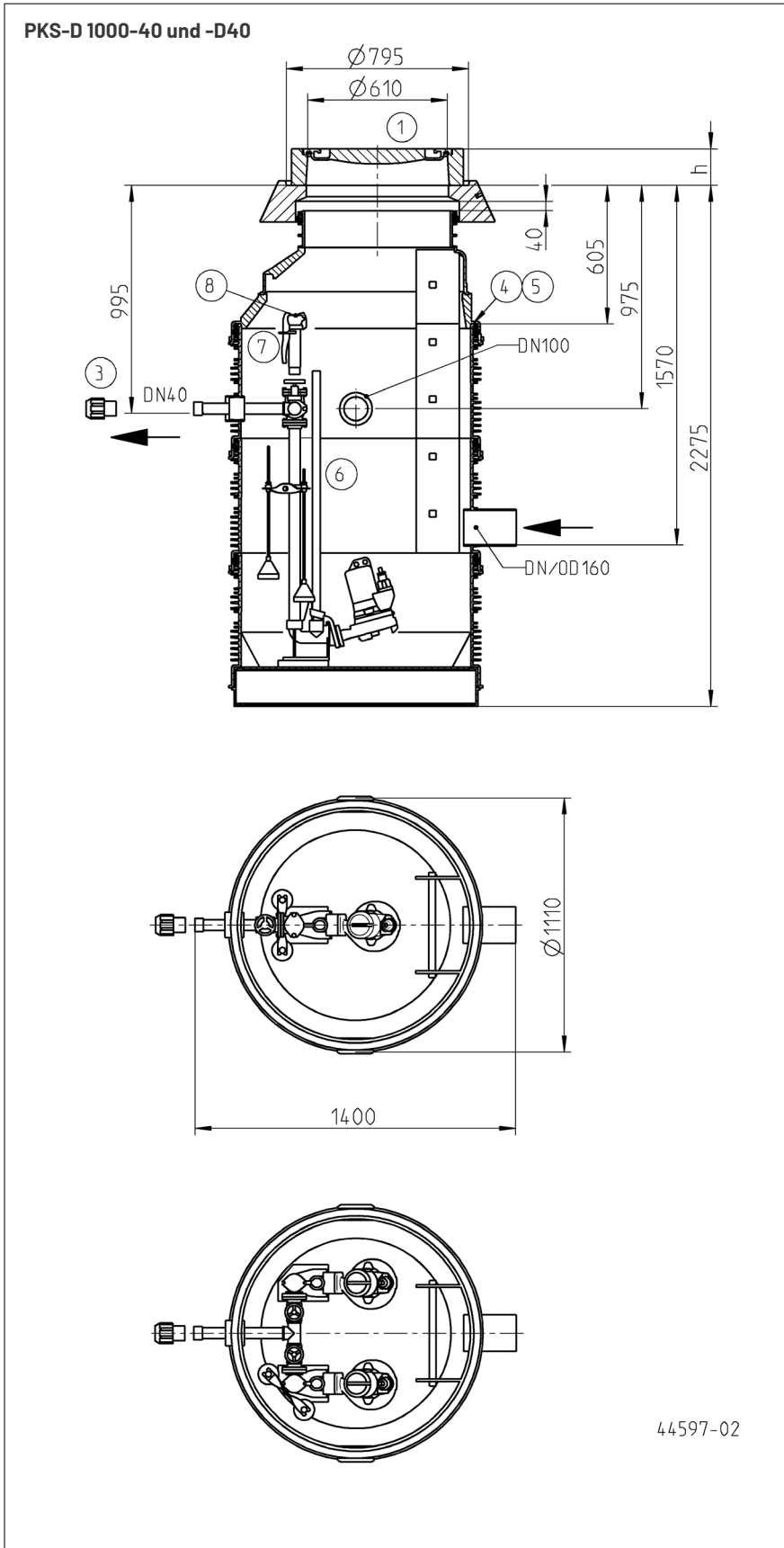


PKS-D 1000-D40

PKS 1000

WASTEWATER SUMPS

For Multicut pumps



POSSIBLE PUMP TYPES

MultiCut pumps

20/2 M plus, 25/2 ME, 35/2 M, 36/2 M, 45/2 M, 75/2 M and 76/2 M

We reserve the right to change specifications without notice. Illustration without ladder.

PKS 1000

WASTEWATER SUMPS

For Multicut pumps

Scope of supply

PKS-D 1000-40 (single unit)

The poly-sump consist of an underpart with an inlet and a discharge branch, an extension element, a cone 1000/625 and a concrete support ring for the manhole cover (accessory). The segments are sealed with sealing rings. Inlet socket DN/OD 160 (DN 150) for PVC collar (KGU), 2 sockets DN 100 for ventilation/cable duct, 1 socket plug DN 100, guide rail

system, pipework with elbow ball check valve and stop valve in DN 40 in stainless steel, facility for flushing connection system "Perrot".

PKS-D 1000-D40 (duplex unit)

The poly-sump consist of an underpart with an inlet and a discharge branch, an extension element, a cone 1000/625 and a concrete support ring for the manhole

cover (accessory). The segments are sealed with sealing rings. Inlet socket DN/OD 160 (DN 150) for PVC collar (KGU), 2 sockets DN 100 for ventilation/cable duct, 1 socket plug DN 100, 2 guide rail systems, pipework with elbow ball check valves and stop valves in DN 40 in stainless steel, facility for flushing connection system "Perrot".

SUMPS AND ACCESSORY

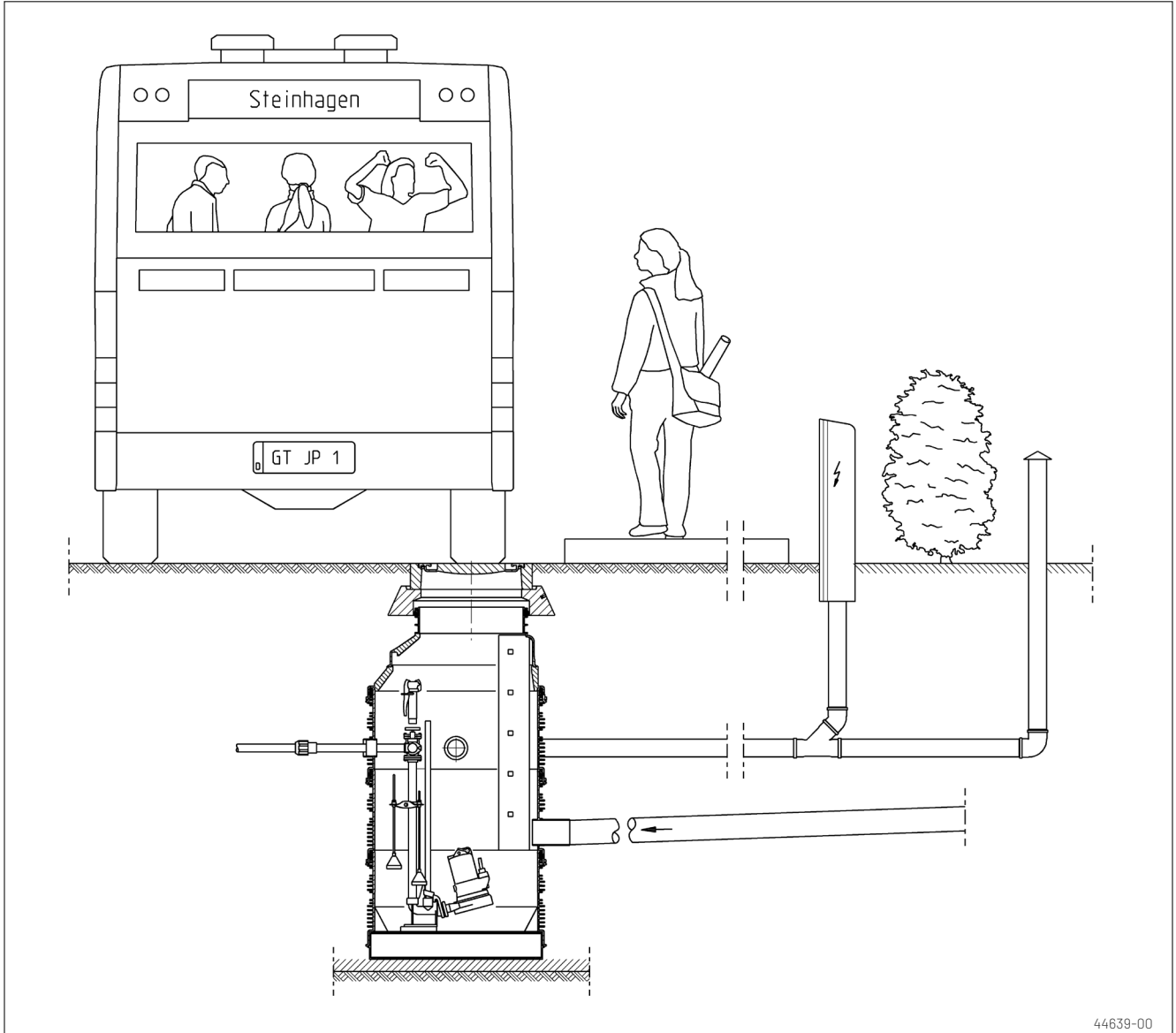
Type		Code Nr.	Weight
Poly-sump PKS-D 1000-40		JP44358	280.0 kg
Poly-sump PKS-D 1000-D40		JP44359	300.0 kg
Poly-sump PKS-D 1000-D40 (75)	without ladder for 75/2 M and 76/2 M	JP44361	300.0 kg
① Cover cl. B without ventilation d610	h=125	JP44972	110.0 kg
Cover cl. D without ventilation d610	h=160	JP29175	190.0 kg
② Access aid, grab handle		JP44610	4.0 kg
Access aid, sleeve		JP44611	1.5 kg
③ Screw joint 1 1/2"- 50mm	with female thread and clamping connection	JP45948	0.3 kg
Screw joint 1 1/2"- 63mm	with female thread and clamping connection	JP45949	0.4 kg
④ PSV-D 1000x500 SG T (10)	tie-bar, ladder	JP44407	34.0 kg
PSV-D 1000x500 T (10)	tie-bar	JP44408	32.0 kg
⑤ PSV-D 1000x500 SG (10)	ladder	JP44403	16.6 kg
PSV-D 1000x500 (10)		JP44404	15.6 kg
⑥ Guide tube 1" stainless steel	1150 mm	JP50268	2.8 kg
Guide tube 1" stainless steel	1650 mm	JP50269	4.0 kg
Guide tube 1" stainless steel	2150 mm	JP50270	5.2 kg
Guide tube 1" stainless steel	2650 mm	JP50271	6.5 kg
Guide tube 1" stainless steel	3150 mm	JP50272	7.5 kg
Guide tube 1" stainless steel	3650 mm	JP50273	9.0 kg
Guide tube 1" stainless steel	4150 mm	JP50274	10.0 kg
Guide tube 1" stainless steel	4650 mm	JP50275	11.0 kg
Attention: For duplex units please order 2 x guide tubes			
⑦ Perrot flushing connection -32/40		JP42059	3.2 kg
Storz C flushing connection PKS		JP42060	1.4 kg
⑧ Perrot breathing valve		JP22422	0.6 kg
Perrot DRS connection		JP22421	0.5 kg
Perrot flush connector 1"		JP22466	0.3 kg
Perrot claw coupling		JP22420	0.5 kg
Perrot hose connection	Ø 50 mm	JP19202	0.4 kg
Perrot pressure gauge		JP44854	1.4 kg
⑨ Ventilation pipe DN 100	stainless steel	JP44858	4.3 kg
⑩ Second and changed inlet DN 150		JP44523	
Second and changed inlet DN 200		JP44524	
Second and changed inlet DN 250		JP44525	
⑪ Seal lubricant 1 kg tube		JP44605	1.0 kg
Seal lubricant 3 kg bucket		JP44606	3.0 kg
⑫ Dislocate of gravity center for 75/2 M and 76/2 M per pump		JP44757	

PKS 1000

WASTEWATER SUMPS

For Multicut pumps

INSTALLATION EXAMPLE



44639-00

Attention: Concerning space capacity the installation of submersible switches is not possible.