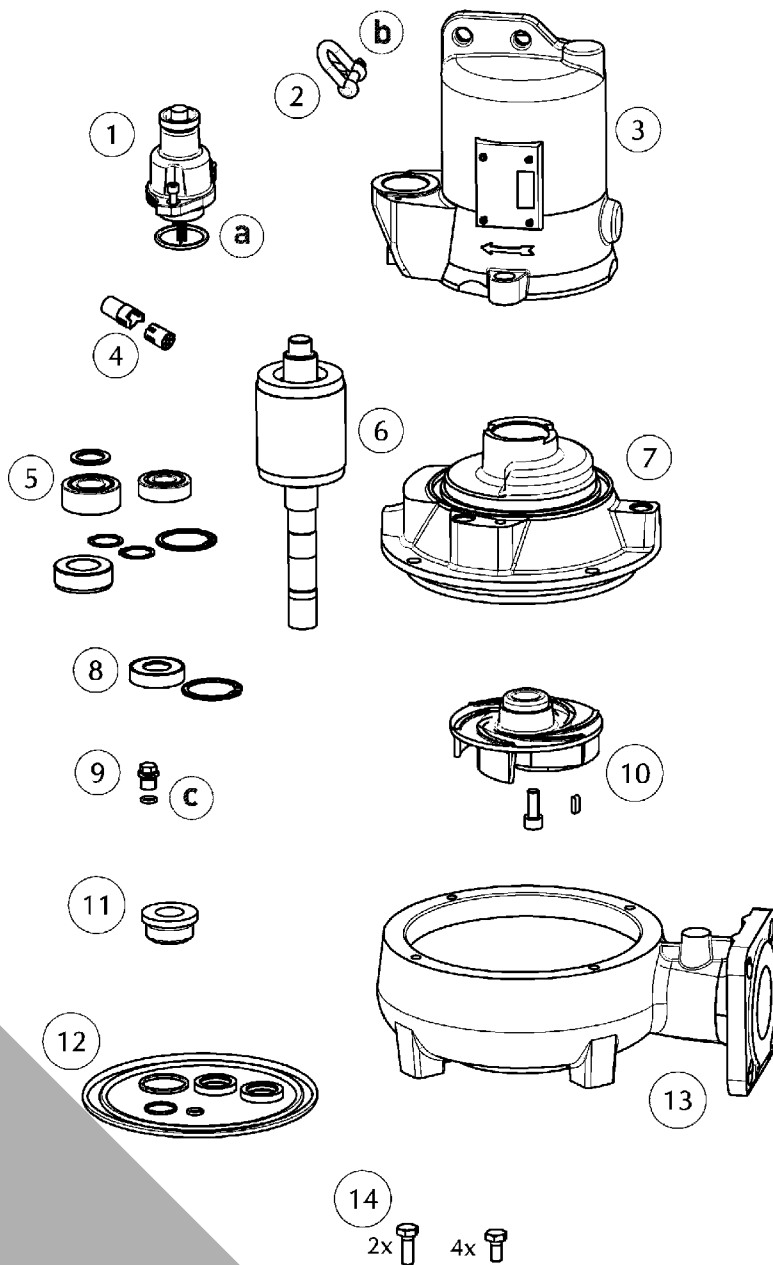


**MULTIFREE 10 - 35**

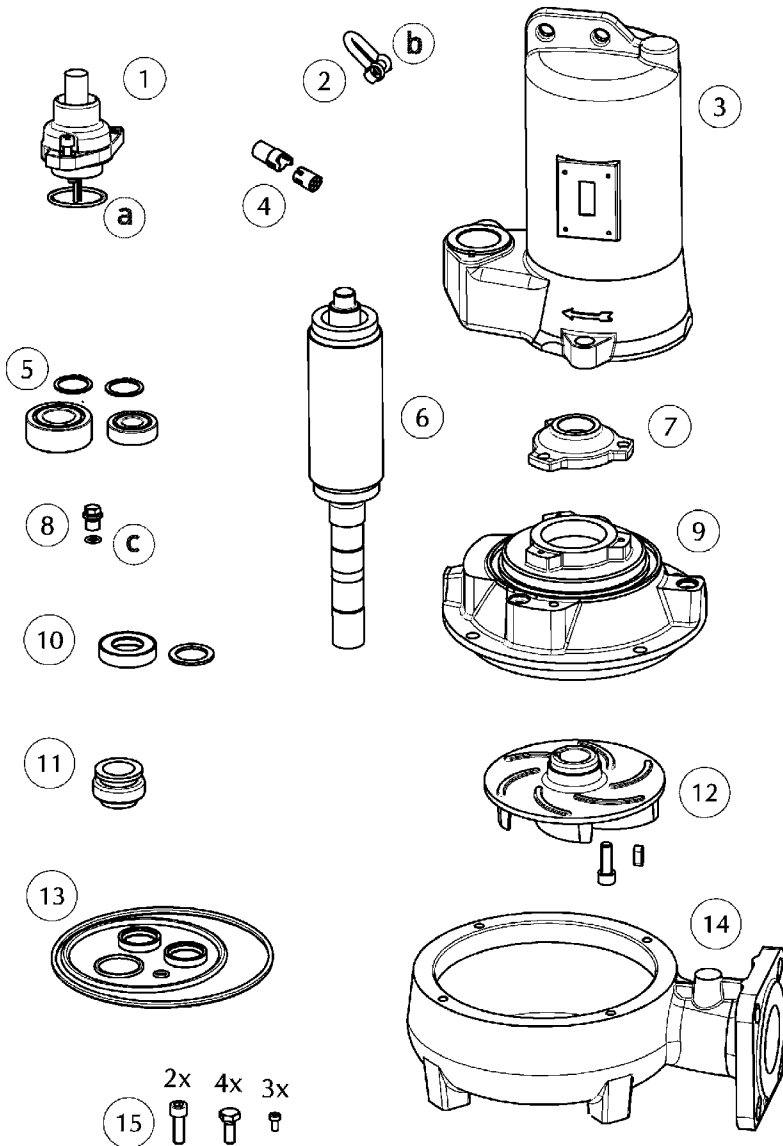
Ersatzteile - Spare parts - Pièces de rechange - Reserveonderdelen - Parti di ricambio - Reservedele - Reservdelar  
 Varaosat - Części zamienne - Náhradní díly - Alkatrészek - Piese de schimb - Запасные части - 备件



<b>a</b>	10x O-Ring 38x3,5	<b>JP48109</b>
<b>b</b>	10x Splint / Cotter pins 1,6x20	<b>JP46182</b>
<b>c</b>	10x O-Ring 10x2,5	<b>JP48088</b>

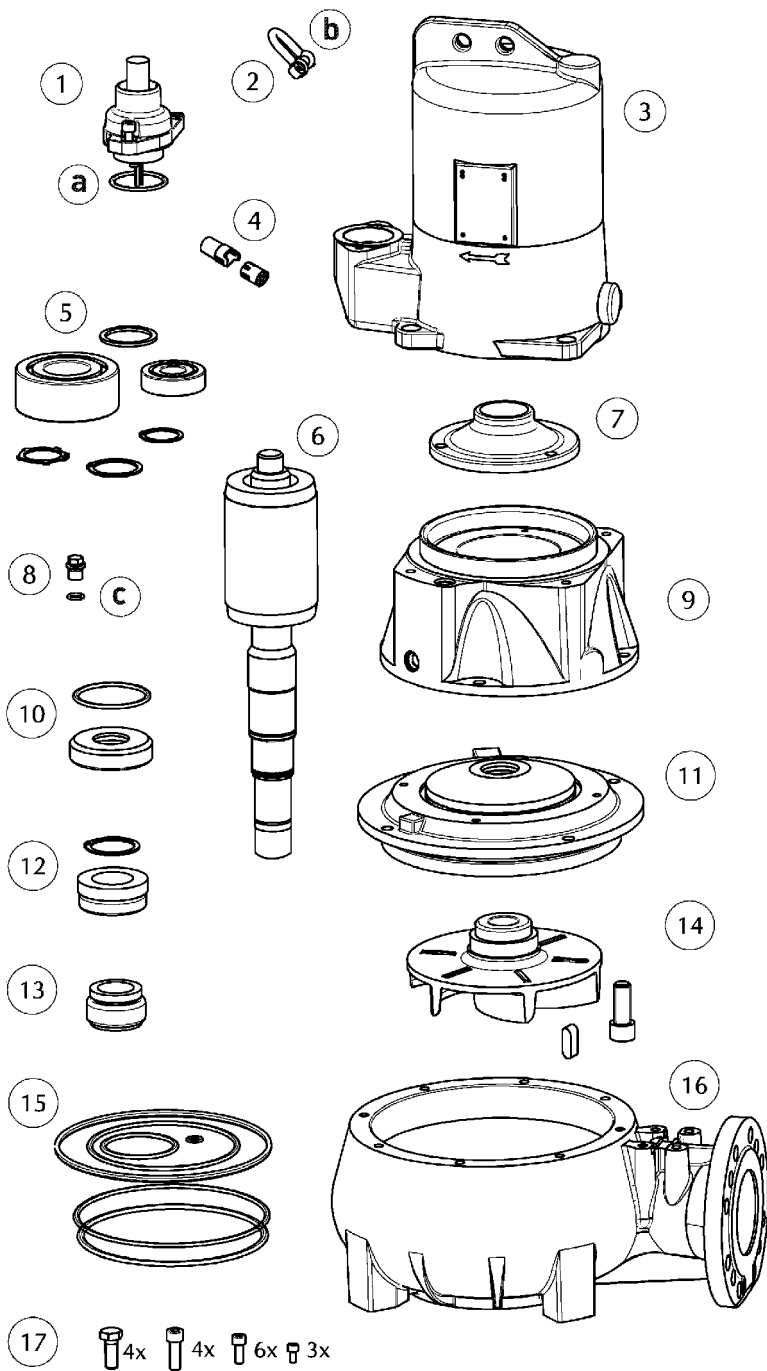
①	Leitung 10 m EX, 5 m EX, 10 m EX, 15 m EX, 20 m	Cable	<b>JP46259</b> <b>JP47501</b> <b>JP45469</b> <b>JP45583</b> <b>JP45584</b>
②	Schäkel	Shackle	<b>JP45904</b>
③	Stator + Gehäuse 10/2, 15/2, 25/2 35/2 10/4, 15/4, 25/4 35/4	Stator + Housing	<b>JP44008</b> <b>JP46211</b> <b>JP47042</b> <b>JP47045</b>
④	Steckverbinder	Connector	<b>JP46572</b>
⑤	Lagersatz	Bearing set	<b>JP46214</b>
⑥	Rotorwelle 10/2, 15/2, 25/2 35/2 10/4, 15/4, 25/4 35/4	Rotor shaft	<b>JP48339</b> <b>JP48340</b> <b>JP48342</b> <b>JP48343</b>
⑦	Lagerkammer	Bearing housing	<b>JP46720</b>
⑧	Wellenabdeckung	Shaft cover	<b>JP47043</b>
⑨	Ölschraube	Oil screw	<b>JP46046</b>
⑩	Laufrad 10/2 AW1 15/2 AW1 25/2 AW1 35/2 AW1 15/4 AW2 25/4 AW2 35/4 AW2 25/2 BW1 35/2 BW1 10/4 CW1 15/4 BW1, 15/4 CW1 25/4 BW1, 25/4 CW1 35/4 BW1, 35/4 CW1	Impeller	<b>JP48351</b> <b>JP48352</b> <b>JP48353</b> <b>JP48354</b> <b>JP48355</b> <b>JP48356</b> <b>JP48357</b> <b>JP48359</b> <b>JP48360</b> <b>JP48362</b> <b>JP48363</b> <b>JP48364</b> <b>JP48365</b>
⑪	Gleitringdichtung	Mechanical seal	<b>JP46567</b>
⑫	Dichtungssatz	Set of seals	<b>JP47077</b>
⑬	Pumpengehäuse AW1 AW2 BW1 CW1	Pump casing	<b>JP46719</b> <b>JP48591</b> <b>JP46718</b> <b>JP46717</b>
⑭	Schraubensatz	Screw set	<b>JP47076</b>
⑮	1l Öl	1l Oil	<b>JP48236</b>

# MULTIFREE 45



①	Leitung 10 m EX, 5 m EX, 10 m EX, 15 m EX, 20 m	Cable	JP46259 JP47501 JP45469 JP45583 JP45584
②	Schäkel	Shackle	JP45904
③	Stator + Gehäuse 45/2 45/4	Stator + Housing	JP48376 JP48377
④	Steckverbinder	Connector	JP46572
⑤	Lagersatz	Bearing set	JP48378
⑥	Rotorwelle 45/2 45/4	Rotor shaft	JP48341 JP48344
⑦	Lagerdeckel	Bearing cover	JP48379
⑧	Luft-/Ölschraube	Air-/Oil screw	JP46046
⑨	Lagerkammer AW1, AW2, BW1, CW1 BW2, CW2	Bearing housing	JP48384 JP48388
⑩	Wellenabdeckung	Shaft cover	JP48380
⑪	Gleitringdichtung	Mechanical seal	JP48381
⑫	Lauf­rad 45/2 45/4 AW2 45/4 BW2, CW2	Impeller	JP48361 JP48358 JP48366
⑬	Dichtungssatz	Set of seals	JP48386
⑭	Pumpengehäuse AW1 AW2 BW1 BW2 CW1 CW2	Pump casing	JP46719 JP48591 JP46718 JP48592 JP46717 JP46723
⑮	Schraubensatz	Screw set	JP48387
⑯	1l Öl	1l Oil	JP48236

# MULTIFREE 55 - 100



①	Leitung	Cable	
	10 m		JP46575
	EX, 10 m		JP46576
	EX, 15 m		JP46634
	EX, 20 m		JP46635
	EX, 25 m		JP46636
	EX, 30 m		JP46637
②	Schäkel	Shackle	JP45904
③	Stator + Gehäuse	Stator + Housing	
	55/4		JP47142
	75/2		JP46574
	75/4		JP47143
	100/2		JP47144
	100/4		JP47178
④	Steckverbinder	Connector	JP46573
⑤	Lagersatz	Bearing set	JP47137
⑥	Rotorwelle	Rotor shaft	
	55/4		JP48348
	75/2		JP48346
	75/4		JP48349
	100/2		JP48347
	100/4		JP48350
⑦	Lagerdeckel	Bearing cover	JP47155
⑧	Ölschraube	Oil screw	JP46046
⑨	Lagerkammer	Bearing housing	JP47158
⑩	Wellenabdeckung	Shaft cover	JP47181
⑪	Trennflansch	Partition flange	JP47159
⑫	Gleitringdichtung	Mechanical seal	JP46587
⑬	Gleitringdichtung	Mechanical seal	JP47140
⑭	Lauftrad	Impeller	
	55/4 BW2		JP48369
	55/4 CW2		JP48372
	75/2 BW1, CW1		JP48367
	75/4 BW2		JP48370
	75/4 CW2		JP48373
	100/2 BW1, CW1		JP48368
	100/4 BW2		JP48371
	100/4 CW3		JP48374
⑮	Dichtungssatz	Set of seals	JP47138
⑯	Pumpengehäuse	Pump casing	
	BW1		JP46718
	BW2		JP48592
	CW1		JP46717
	CW2		JP46723
	CW3		JP48593
⑰	Schraubensatz	Screw set	JP47139
⑱	1l Öl	1l Oil	JP48236